

DESCRIPTION

Expansion module with 8 isolated digital inputs for direct connection to AC mains voltage.

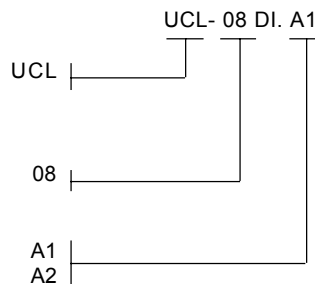
VERSIONS/ORDERING CODES

Type:

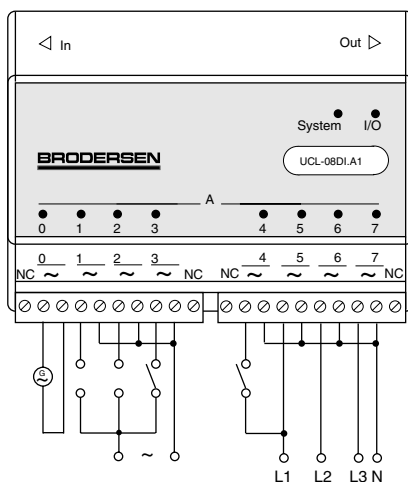
Expansion module:

Digital input/output:
Number of inputs
8

Input voltage range
100 - 265V AC
30-265V AC, note 4



WIRING DIAGRAM



Note 2

TECHNICAL DATA

Inputs:	8, note 1 All equipped with optocouplers.
Input voltage activated:	A1: 100 - 265V AC, note 3 A2: 30-265V AC, note 3 and 4.
Input voltage deactivated:	A1: 0 - 40V AC A2: 0-8V AC
Input frequency:	40 - 70Hz
Input current:	Typical 8mA:(220V AC/50 Hz)
Input delay:	50 - 100mS
Isolation:	Between inputs: Min. 1.5kV AC Input to electronics: Min. 4kV AC Input to chassis: Min. 2kV AC
Indicators:	One (red) for each input indicating input, active.
Current consumption (12V):	Max. 45mA

NOTES/REMARKS

- 1) Inputs are isolated from each other.
- 2) Terminals marked "NC" are not connected internally.
- 3) Voltages/currents exceeding the maximum values may cause permanent damage.
- 4) Note that short wiring must be used in order to avoid unexpected input activation due to capacitive coupling in the cable.

CIRCUIT CONFIGURATION

